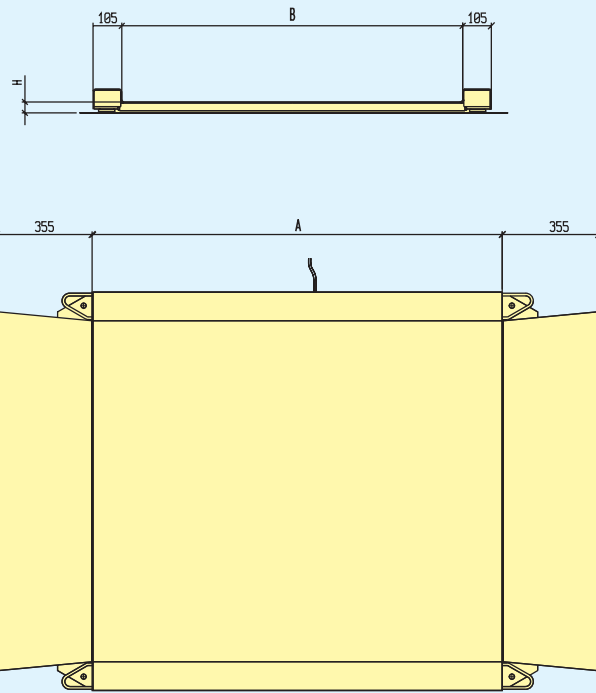


Model LPS



Model	Dimensions (mm)			Capacity (kg)	Division (g)	Multirange version Capacity (kg)	Multirange version Division (g)	Weight (kg)	
	A	B	H					Platform	Ramp
LPS 100.85 IX	1000	850	37	300	100	-	-		
				600	200	300/600	100/200	84	15
				1000	500	600/1000	200/500	84	15
LPS 150.125 IX	1500	1250	40	600	200	300/600	100/200	140	22
				1500	500	600/1500	200/500	140	22



Weighing platforms



model LPS



**SOCIETÀ COOPERATIVA
BILANCI**
Strumenti e Tecnologie per Pesare

Società Cooperativa Bilanciai Campogalliano a.r.l.
41011 Campogalliano (MO) Italy - Via S. Ferrari, 16
Tel. Centralino 059 / **89.36.11** - 52.69.65
Fax 059 / 52.70.79 - Tlx. 51.18.07 BILCOP I
Servizio postvendita
Tel. 059 / **89.36.12** - 52.61.12 - Fax 059 / 52.72.94

N. 812240 - 9037 - Stampa: LITOGRAFIC - Formigine (Mo)



**SOCIETÀ COOPERATIVA
BILANCI**

Model LPS

General features

LPS series platforms are notable for their exceptionally low profile (<40 mm deep) and their proportions, which are especially suited to the weighing of goods on tiller-operated transporter or transpallet trucks. An ideal solution for the food industry, with optimum mobility and all-stainless steel construction allowing easy and thorough cleaning.

Weight registers through 4 stainless steel load cells to IP 67 specification.

A one-piece structure, also in AISI 304 stainless steel throughout, incorporates load bearing lateral box members bent directly from the platform metal, so that the top face is devoid of welded seams.

Secured directly to the platform structure and to the adjustable feet, the load cells provide a weight sensing medium that is simple, functional, and absolutely maintenance free.

Also forming part of the equipment are easily assembled stainless steel access ramps.

The LPS platform can be used in conjunction with all terminals of the EV 2000 series and Dialogica series.



Model LPS

Engineering features

- Capacities from 300 to 1500 kg
- Platform height less than 40 mm
- Safety overload limiters
- Load bearing lateral box members
- 4 load cells entirely in stainless steel, to IP 67 specification
- Adjustable stainless steel levelling feet
- Handles for convenience of positioning and removal

Optionals

- Stainless steel access ramp, L = 355 mm
- Multirange version
- High resolution version (for internal use) giving up to 10,000 divisions.

