

**BIZERBA**

\_balanced information

IV/141e



BIZERBA |

# GLM-I HIGH SPEED WEIGH-PRICE-LABELER

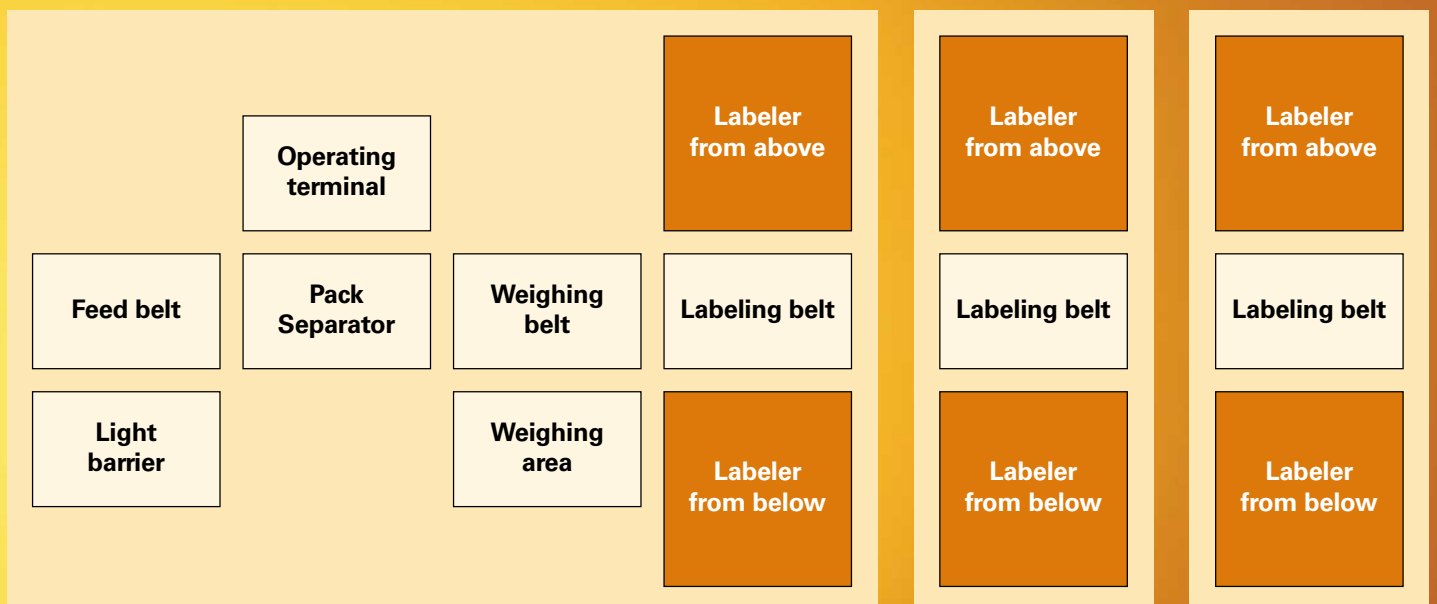


→ THE NEW DIMENSION IN  
WEIGHT-BASED PRICE LABELING.

→ BIZERBA GLM-I



→ MODULAR CONFIGURATION



Bizerba GLM-I

Extension module 1

Extension module 1



# SERVICE- AND USER-FRIENDLY, HYGIENIC AND HIGH PERFORMANCE

## → New conveyor technology

Particularly easy maintenance and cleaning and a high level of service-friendliness are the result of the completely new drive and design concept of the Bizerba GLMH range: enclosed motors and open transport design, easy-to-clean belts and conveyors and, above all, the new quick-change belt system maximise the hygiene characteristics of Bizerba systems. Single-piece or divided belts can be used depending on the application.

## → One operating unit –

### regardless of system configuration

Even when the whole system has been expanded to its maximum, every labeling and control device, including, if necessary, total printer – can be controlled from one central operator terminal. The GT-CT operator terminal is equipped with touchscreen technology

and is thus ideally suited for both operating and cleaning. Furthermore, the GLMH can be controlled via Internet Explorer in E-Service mode. Connection is either via serial interface or TCP/IP. Diagnostics and remote maintenance can thus be carried out without an on-site presence. The data storage concept using the FAT file system enables a single, common data back-up for the whole GLMH system with all labelers in PC-readable format.

## → Multiple labeling applications

Labeling can be carried out from above or below in every GLMH configuration. Depending on the requirement, this allows blasting, stamping and rotational applications to be combined. Labels up to a printing width of 168 mm can be processed with a print resolution of up to 12 dot/mm. The high printing speed of 250 mm/sec (9.8") is the basis for

## → QUICK-CHANGE BELT SYSTEM



\*\* UP TO 150 PACKAGES PER MINUTE

## → CENTRAL OPERATING UNIT



the labeling rate of up to 150 packages per minute. The modular print engine of the GLM-H labeler provides easy-to-change print-heads, easy cleaning and convenient insertion of paper and Thermal Transfer Film rolls.

→ **Faster, more reliable, simpler:**

**Compelling new technical features**

Alongside the proven WYSIWYG label creation software, Bizerba Label Designer BLD, the BCT communication software package is also available for the Bizerba GLM-H range. Production-specific applications can be conveniently developed using the BCT interface. The Bizerba Communication Tool BCT and the Bizerba Bx-Net language provide a unique concept for the integration of Bizerba industrial components and Bizerba weigh-price labeling systems.

→ **Application areas**

The Bizerba GLM-H range is the ideal labeling system for all applications in the weight-dependent and independent sectors for FPV (Average Weight) marking. It is the ultimate performer in the high-capacity packing sector.

→ **EASY TO CLEAN**



→ **USER-FRIENDLY**





# HIGHEST PERFORMANCE IN INDUSTRIAL SHIFT OPERATION?

## → The latest generation of top-class technology

The new Bizerba GLM-I range combines the highest performance in continuous industrial processing with significantly improved characteristics in control, ease of service and hygiene. A system is thus available that sets new standards in weigh-price labeling and fulfils the highest demands of the user. The modular construction of the GLM-I system allows individual configurations and the combination of several sub-systems – such as belt units – and an almost unlimited number of labelers with different label applications.

## → GLM-I 70, 100 or 150:

### Let your performance requirements decide

With the most up-to-date 32-bit micro-controller technology and a modular CAN-Bus system, the packaging performance of weight-based price labeling has been increased to up to 150 packages per minute. Depending on your performance requirements, the

Bizerba GLM-I is available with different capacity ratings: GLM-I70, GLM-I100 and GLM-I150. The GLM-I150 as the most powerful version, is equipped with brushless motors for particularly silent running and a high degree of service-friendliness. With the GLM-I 150, the height and lateral adjustments are completely motorised and, with the other models, are either motorised or manual.

## → BIZERBA GLM-I EXTENSION MODULE



\*\* THE BIZERBA GLM-I RANGE SETS NEW STANDARDS

## THE MOST IMPORTANT TECHNICAL DATA



	Pack weight max.	Calib. value	No. of calib. values	Min. load	Tare max.
<b>WS10C/V1</b>	6 kg 15 lb	1 g 0.005 lb	6000 6000	20 g 0.05 lb	6 kg 15 lb
<b>WS10C/V2</b>	6 kg 15 lb	2 g 0.01 lb	3000 3000	40 g 0.1 lb	6 kg 15 lb
	10 kg 22 lb	2 g 0.01 lb	5000 5000	40 g 0.1 lb	10 kg 22 lb
	15 kg 30 lb	5 g 0.01 lb	3000 3000	100 g 0.25 lb	15 kg 30 lb

- **Printing process:** Thermodirect (optional thermotransfer)
- **Resolution:** 8 dot/mm (optional 12 dot)
- **Printing widths:** 80 mm (3.15") [optional 104 mm (4.1") or 168 mm (6.6")]
- **Label opening:** 170 mm (6.7")
- **Print speed:**

<b>GLM-I70</b> 150 mm/sec. (5.9"/sec.)	<b>GLM-I100</b> 250 mm/sec. (9.8"/sec.)	<b>GLM-I150</b> 250 mm/sec. (9.8"/sec.)
--	---	---
- **Reversing mode:** yes
- **Labels:** Minimum: 30 x 30 mm (1.2" x 1.2") (W x H)  
Maximum: 120 x 150 mm (4.7" x 5.9") (W x H)  
Absolute dimensions dependent on labeling system  
Layout length: 300 mm (11.8")  
Label output: printed image top
- **Label roll:** Core Ø: 70 - 102 mm (2.8" - 4")  
Outside Ø: 300 mm (11.8")
- **Thermotransfer belt:** Core Ø: 25.4 mm (1")  
Outside Ø: 80 mm (3.15")
- **Dimensions mm (inches):**

→ **Package size:** Min. 40 mm (1.57") (L) x 40 mm (1.57") (W) > 1 mm (0.04") (H)  
Max. 500 mm (19.69") (L) x 300 mm (11.81") (W) x 250 mm (9.84") (H)  
Optional to Max. 630 mm (24.8") (L) x 400 mm (15.75") (W) x 250 mm (9.84") (H)

→ <b>Marking capacity:</b>	<b>GLM-I70</b> 70 P/min	<b>GLM-I100</b> 100 P/min	<b>GLM-I150</b> 150 P/min
	Capacity dependent on weight, type of package and size of label		

→ <b>Height adjustment:</b>	manual	automatic	automatic
<b>Lateral adjustment:</b>	manual	manual	automatic

→ **Construction:** Stainless steel

→ **Labeling technology:** - Blast application (compressed air supply, 6 bar) (90 PSS)  
- Stamp application  
- Rotational application (for top labelers only)

→ **Bar code variants:** EAN/UPC 8, EAN/UPC 13, EAN/UPC 128, Code 128, Code 39, 2/5 Int, ITF, PDF 417, PDF AI

→ **Interfaces:** Standard RS 485, RS 232, Ethernet TTY  
optional RS 422, TCP/IP

→ **Mains voltage:** 230 V / 50-60 Hz  
120 V / 60 Hz

→ **Operating temperature:** -10 °C to + 40 °C  
(14 °F to + 104 °F)

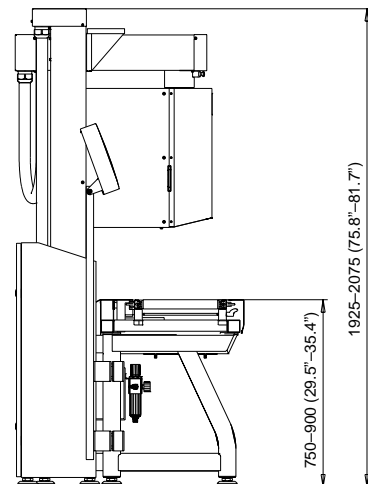
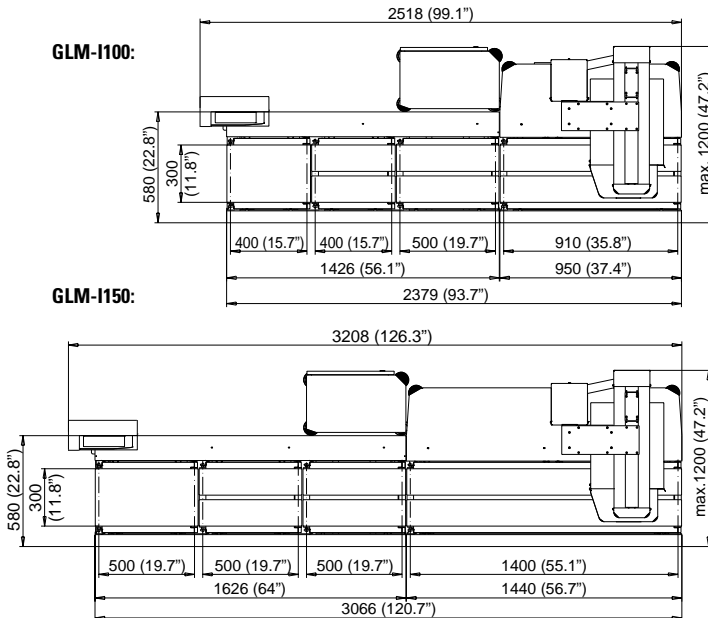
→ **Humidity:** 20 - 90 %, non-condensing

→ **Protection Class:** IP20 / CE / UL (printer)  
IP 54 / CE / UL (conveyors, electrical panel)

→ **Memory:** 4 MB (optional up to 8 MB)

→ **Display/Keyboard:** Optional GT-CT, GT-NT or e-Service operating concept with one or more displays per line

→ **Memocard connection:** Standard



# BIZERBA

\_balanced information